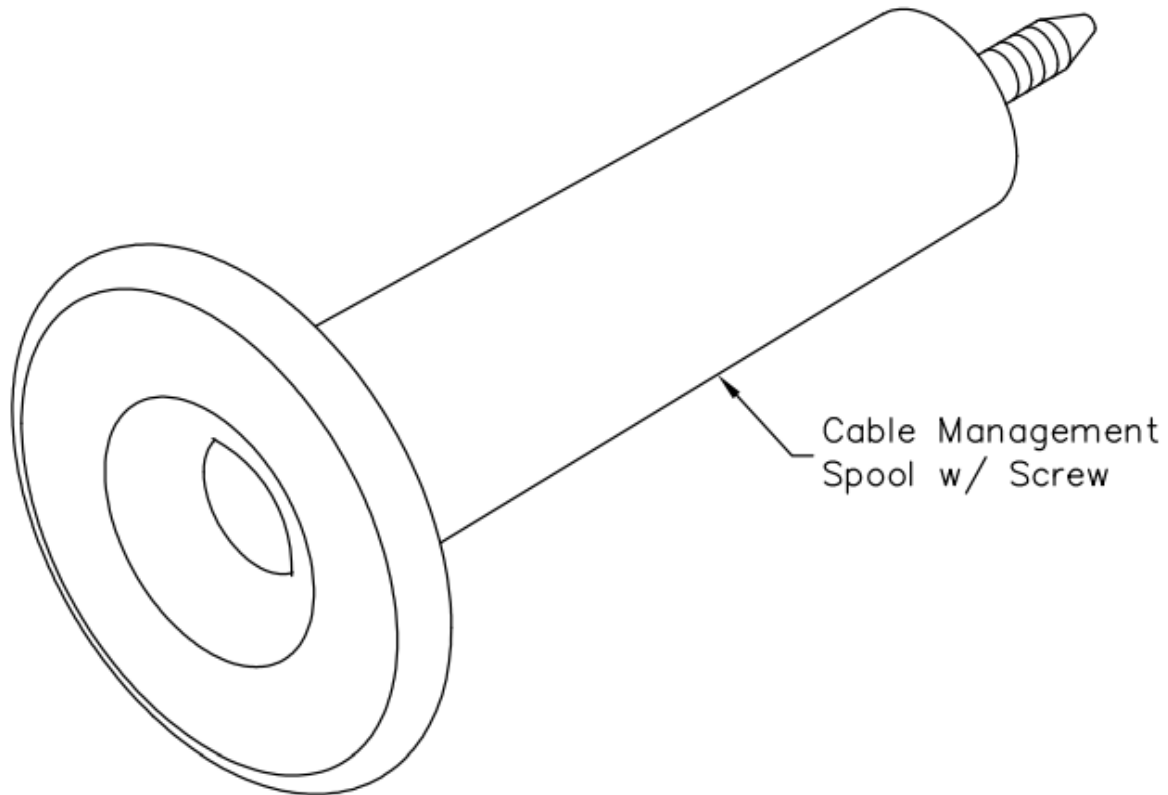


Cable Management Spool With Screw 10 Pack

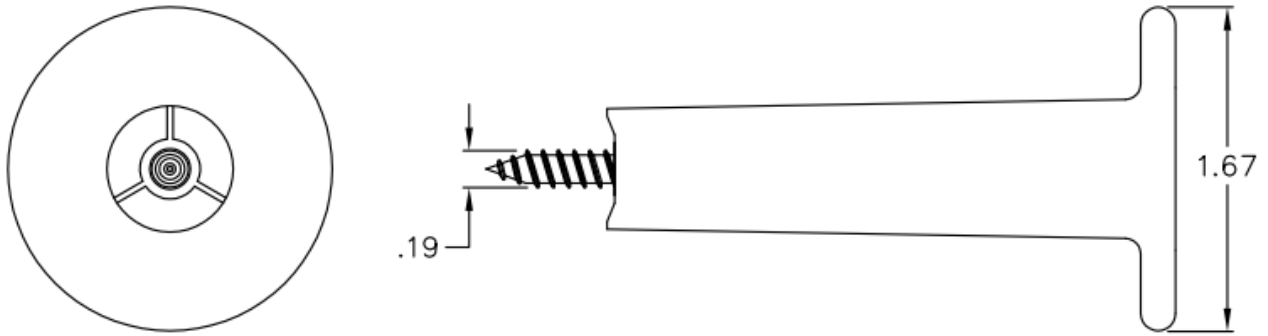
Package Includes:

A. Cable Management Spool With Screw, 10 PCS



Features and Benefits

- Designed to retain and guide cables allowing for quick and easy access of changes
- Comes with wood screw for wall mounting
- ANSI/TIA-568-C and UL 1863 compliant
- Country Of Origin: Taiwan
- TAA Compliant



NOTE: UNLESS OTHERWISE SPECIFIED

1. MATERIAL:

- A. CABLE MANAGEMENT SPOOL: ABS, UL 94V-0
- B. INSERT SCREW: SAE 1010, ZINC PLATING

2. COLOR: WHITE