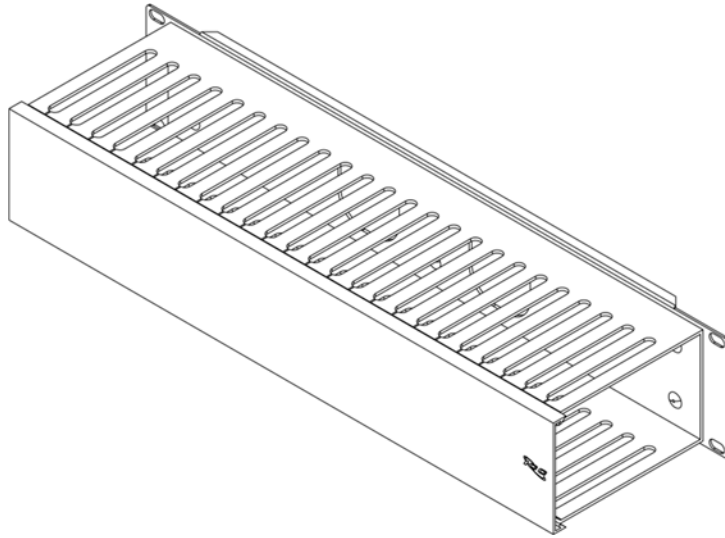


# High Capacity 5" Horizontal Finger Duct Panel, 2 RMS

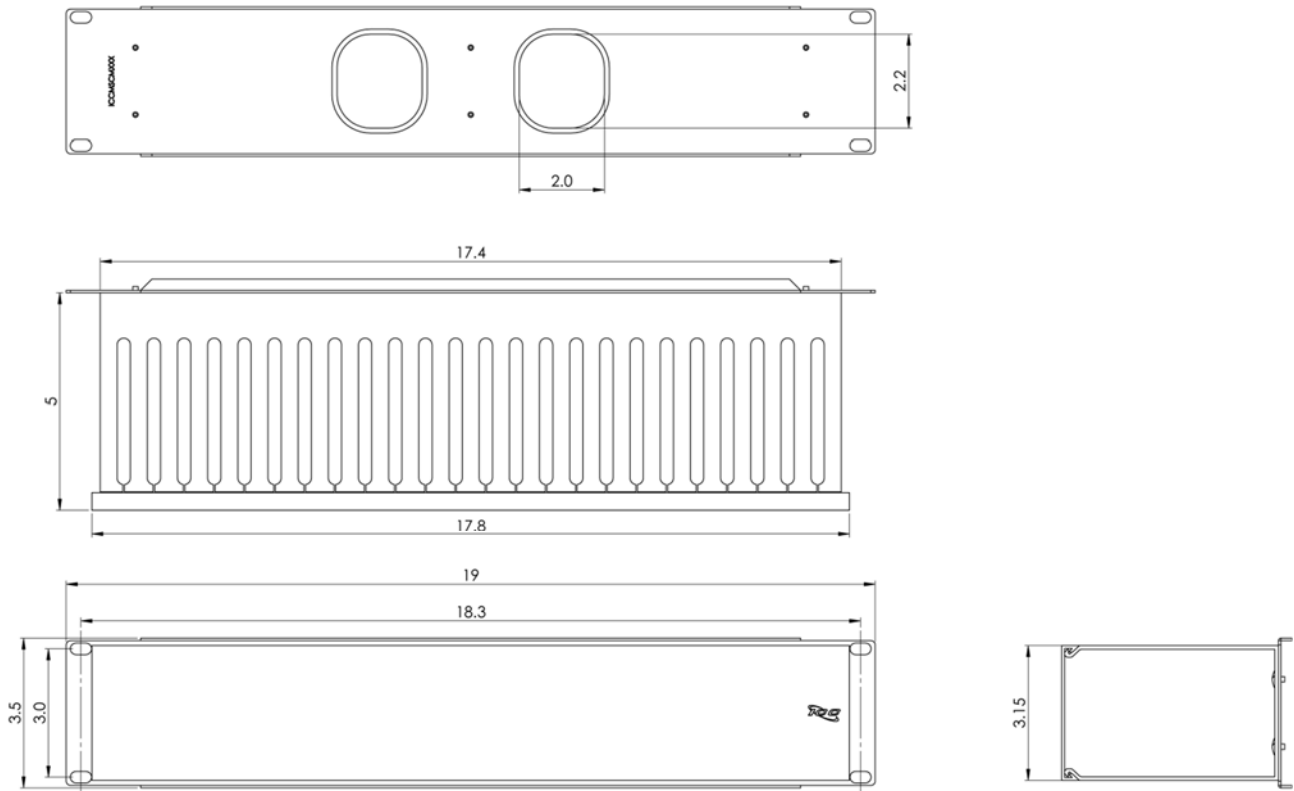


## Package Includes:

- A. Horizontal Finger Duct Panel 2 RMS, 1 Piece**
- B. #12-24 x 5/8" Pan Head, Pilot Point Machine Screw, 4 Pieces**

## Features and Benefits

- Provides flexibility for front cable management with a neat and clean appearance
- Designed with slotted ducts providing horizontal cable management on the front of a rack
- Designed to fit all standard 19" racks and cabinets
- Used with all ICCMS racks and brackets
- 5" Deep horizontal channel with top and bottom slotted flexible break away fingers that can be removed to allow routing large cable bundles
- Equipped with feed-through holes on the back side for easier cable routing from front to back or back to front
- Designed to organize up to 96 patch cables horizontally on 2-post racks, 4-post racks, wall mount racks, or wall mount brackets
- When used with the 78" Vertical Finger Duct Panels (ICCMSCMA73), the result is a complete and professional flush-mounted matching look that meets industry standards for proper installations of cable management
- Single-sided, 2RMS
- UL 1863 compliant



**NOTE: UNLESS OTHERWISE SPECIFIED**

- Panel:
  - Material: 16 Gauge CRS
  - Surface Finish: Black Powder Coating
- Finger Duct:
  - Material: PVC, UL 94V-0
  - Finish: Texture, Black
- Cover:
  - Material: PVC, UL 94V-0
  - Color: Black
- Size: 3.50" height x 19.00" width x 5.40" depth